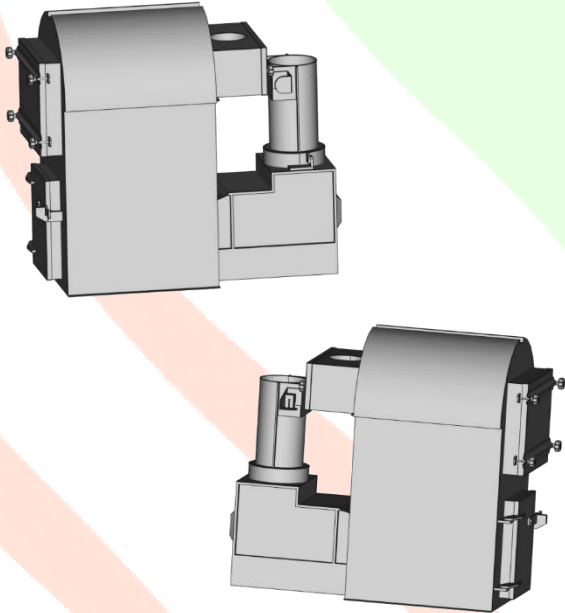


BET 14 | Private

The Private Classification units are the smallest units in our product line. These units are often used in country residential and light agricultural applications.

MODEL BET 14



TECHNICAL SPECIFICATIONS:

| | |
|------------------------------|---------|
| BTU Output (btu/hr) | 510,000 |
| Thermal Energy (kWth) | 149 |
| Maximum Consumption (lbs/hr) | 109 |
| Maximum Screening Size (in) | 1.5 |
| Base Footprint Width (in) | 48 |
| Base Footprint Length (in) | 100 |
| Application Classification | Private |
| Operating Temperature (F) | 2300° |
| Gas Retention (seconds) | ~2 |

The BET Technology by BioMass Energy Techniques Inc is currently being used in over 100 applications across North America. This technology has proven versatile and effective on a wide range of feedstocks with high moisture content. Traditionally used to consume wood waste as a fuel feedstock, the basis of the BET system has been proven over many decades in both off-grid and newer leading edge technology applications.

OPTIONAL UPGRADES:

| | |
|--------------------------------------|---------------------------|
| BioChar TakeOut Module with Airlocks | Stainless Steel Package |
| Touchscreen PLC Controls | Non-Electric Controls |
| Smart Phone Connectivity | Solar Island Power Source |
| Remote Monitoring (WiFi/Ethernet) | MicroGen Power Module |



BIOMASS ENERGY

TECHNIQUES INC

Toll Free: 1 (888) 828-7637
www.biomassenergytechniques.com
The New Dimension In Renewable Energy